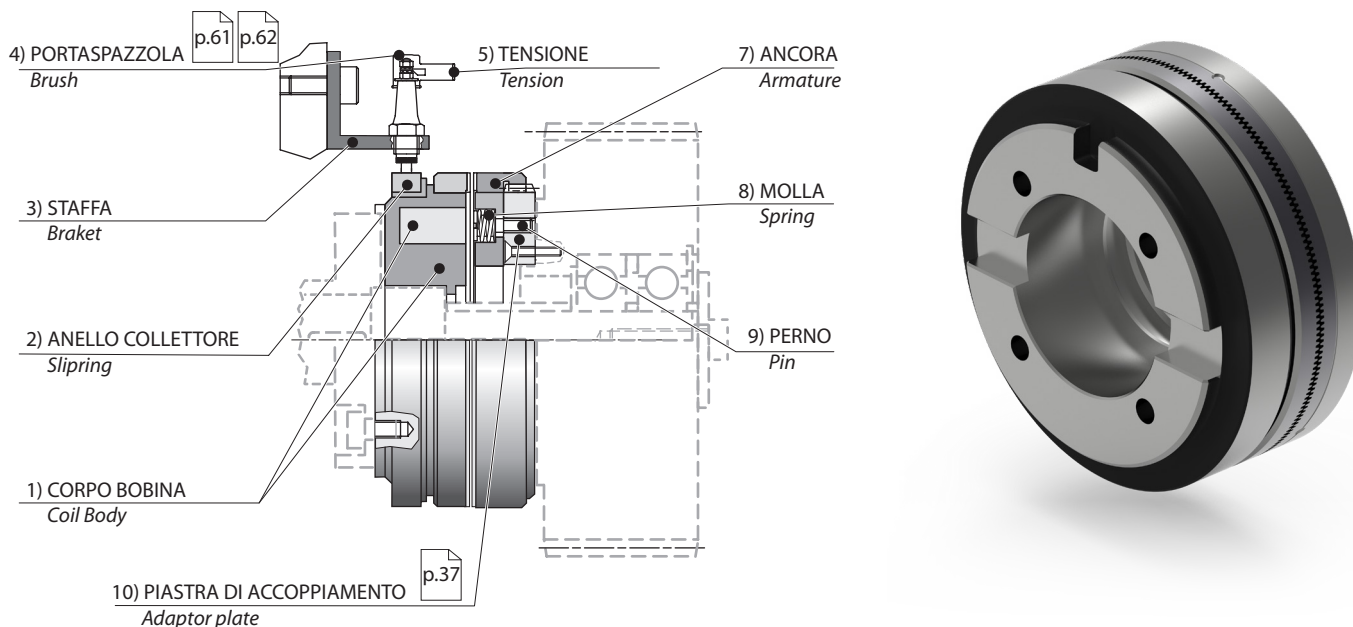
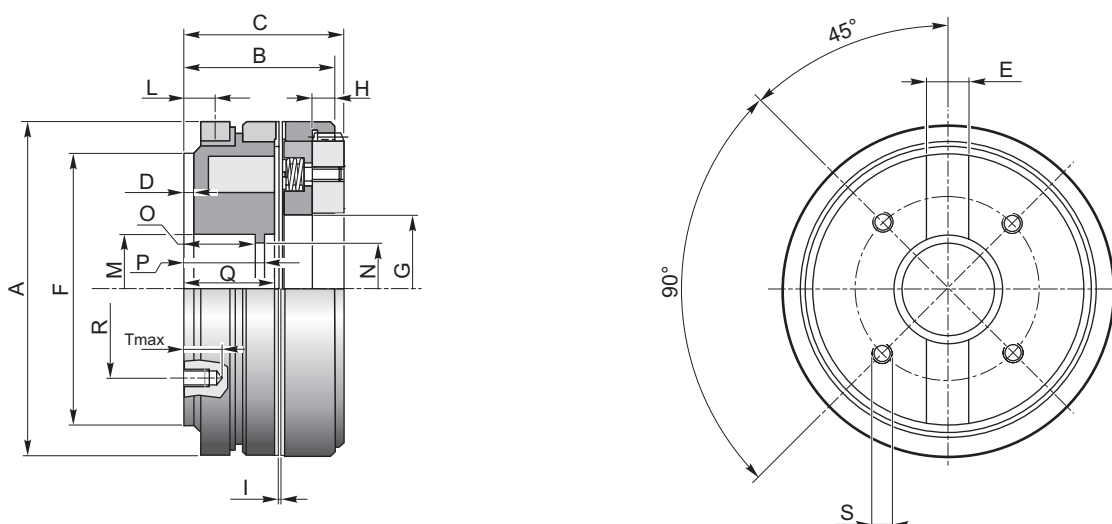


Esempio di applicazione / Example of application



Dimensioni / Dimension



Caratteristiche / Characteristics

TAGLIA SIZE	Coppia nom. Statica Nom. Static Torque	Tensione Nominale Nominal Voltage	Potenza assorbita Input Power	nmax		Tempo inserzione Engagement time	Tempo disinserzione Desengagement time	Z		Kg
	CU 1)	V (C.C - D.C)	W	a secco dry	in olio oil			ms	ms	
				rpm	rpm	ms	ms			
GDRC82P	100	24	24	5000	2500	25	60	130	253	1
GDRC95P	200	24	28	4000	2000	25	70	156	280	1.2
GDRC114P	350	24	48	3500	2000	30	90	180	280	2
GDRC140P	600	24	58	3000	1500	45	130	144	310	3.5
GDRC166P	1200	24	81	2500	1000	70	180	168	310	5.5
GDRCE166P	1200	24	61	2000	1000	80	180	168	380	5.5
GDRCE195P	2200	24	68	2000	1000	70	300	205	410	8
GDRC210P	3000	24	96	1500	1000	80	400	212	410	11
GDRC240P	4000	24	100	1500	1000	85	500	180	470	16
GDRC258P	6000	24	127	1500	1000	95	600	180	470	19

1) Selezione del valore di coppia vedere pag. / Selection the torque value see page

p.4

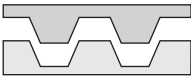
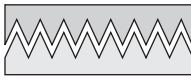
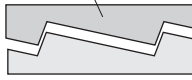

Innesto elettromagnetico a denti con anello collettore

Electromagnetic tooth clutch with slipping

Codice d'ordine / Order code

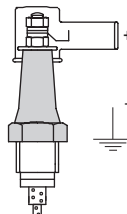
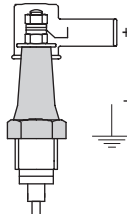
TIPO E TAGLIA TYPE AND SIZE	DENTATURA TOOTH PROFILES		CONNESSIONE CONNECTION	
	A		B	
GDRC95P	1	3		
GDRC82P	1			-
...	2			3
...	3			
GDRC258P	4			

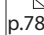
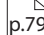
Dentatura / Tooth profiles

CODICE CODE	1	2	3	4
A	 <p>Forma trapezoidale Trapezoidal form</p>	 <p>Forma triangolare Triangular form</p>	 <p>Ancora/Armature Dente sega SX Saw tooth anticlockwise</p>	 <p>Ancora/Armature Dente sega DX Saw tooth clockwise</p>

- A richiesta dentatura in fase / On request, tooth profiles for fixed point engagement  

Connessione / Connection

CODICE CODE	3	4
B		

- Ordinabile separatamente a richiesta / Can be ordered separately on request  

Dimensioni/ Dimension

TAGLIA SIZE	A	B	C	D	E (H7)	F	G	H	I	L	M (K6)	N	O	P	Q	R	S	T
GDRC82P	82	39	42	2.5	12	67	35	6	0.3	7.5	35	31	20	22.5	25	50	M5	7
GDRC95P	95	40	43	2.5	12	78	45	6	0.4	7.5	42	37	20	22	25	56	M6	8
GDRC114P	114	47	50	5	14	95	53	7	0.4	11	55	45	22	25	30	75	M8	10
GDRC140P	140	54	57	5	16	120	70	8	0.4	11	68	60	22	28	33	90	M8	12
GDRC166P	166	60	63.5	6	20	142	80	9.5	0.4	13	75	65	25	30	35	100	M10	11
GDRCE166P	166	63	66.5	6	20	142	89	9.5	0.4	13	90	80	28	33	38	116	M10	11
GDRCE195P	195	67	70	6	20	170	90	12	0.4	13	110	100	28	34	37.5	125	M10	15
GDRC210P	210	77	79	6	20	184	105	14	0.4	14.5	100	90	31	39	42	130	M12	16
GDRC240P	240	84	86.5	6	25	216	115	14.5	0.4	14.5	110	100	32	40	45	145	M12	16
GDRC258P	258	90	92.5	8	25	234	133	16.5	0.4	16.5	140	130	33	41	52	200	M12	16